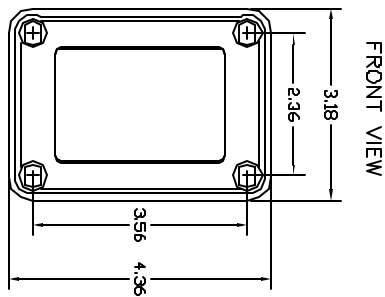
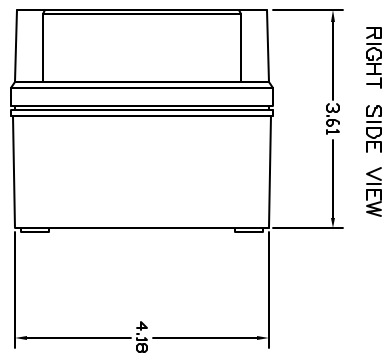


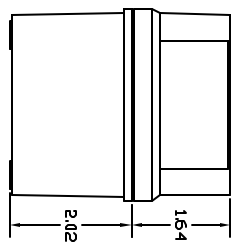
REVISIONS			
ZONE	REV	DESCRIPTION	DATE



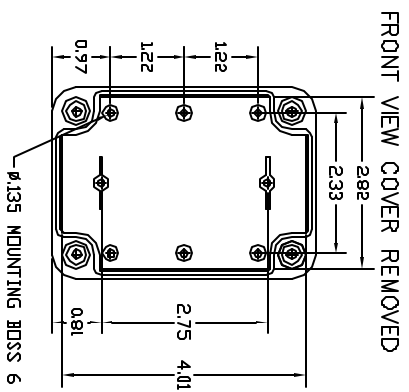
FRONT VIEW



RIGHT SIDE VIEW



END VIEW



FRONT VIEW COVER REMOVED

		<b>VINCORP</b> ENCLOSURE SYSTEMS INC. 1000 W. 10th Street Wincor, TX 75788	
<b>V1 SERIES ENCLOSURE</b> WNCORP PART # VM443		DATE: 1/27/01 REV: 0	DRAWN BY: [blank] CHECKED BY: [blank]